



TS 63 E

Fast Drying Cabinet

ProLine TS 63 E is a drying cabinet with very short drying time of 42 minutes and a low energy consumption of 3.0 kWh.

The drying cabinet is equipped with a Humidity Tracking System (HTS) which senses the humidity level and stops the drying process when the laundry is dry.

Drying cabinets are ideal for drying delicate garments that should not be tumble dried. ProLine TS 63 E dries efficiently without friction which extends the life-span of the garments. The drying cabinet is equipped with four automatic programs and one program for timed drying.

Details

- Capacity 8 kg (17.6 lbs)
- Hanging length 16 m (52.5 ft)
- Width, 120 cm (47 inch)
- HTS - Humidity Tracking System
- Gentle drying mode
- Four automatic programs and one program for timed drying
- Hanging rail rotates out 180° and doors open 190°
- Double overheat protection for increased security
- Removable top panel for easy installation/handling
- Choose between Swedish, English, Norwegian, Danish, French, German and Spanish display texts
- Delivered ready to use or as an assembling kit

Main Data	TS 63 E	TS 63 ES
Capacity, kg (lbs)	8 (17.6)	8
Hanging length, m (ft)	16 (52.5)	16
Heating effect, kW	6	2
Part no	131032	131036
Consumption data, normal temperature*		
Drying time, min	42	86
Energy consumption, kWh	3.0	2.6
Drying capacity, g/min (oz/min)	62 (2.2)	30

*Drying of 6 kg cotton (dry weight), washed and high-spun to 43% residual moisture, dried to 0% residual moisture.

About PODAB

PODAB is a Swedish company that has been in the laundry business since 1945. We develop, manufacture and market quality products at competitive prices for multiple apartment buildings, laundry rooms and for professional use.

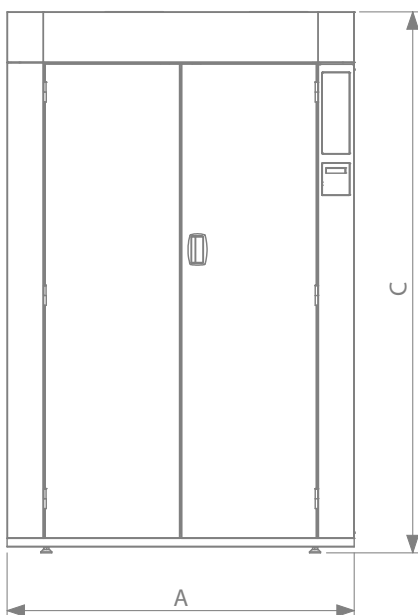
Contact us

PODAB equipment is exclusively supplied in the UK by Renzacci UK PLC. If you have any questions, please feel free to contact us on 020 8936 7083. You can also visit our website at www.podab.co.uk.

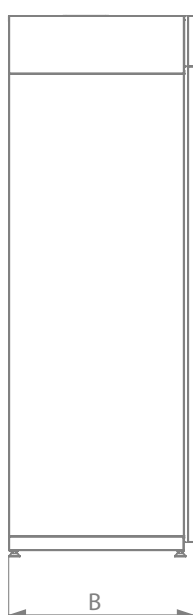
Drying Cabinet		TS 63 E	TS 63 ES
Electrical connections	Phase/Voltage/Frequency	3~N/400V/50Hz	1~N/230V/50/60Hz
	Total effect, kW	6.3	2.3
	Fuse, A	10	13
	Cable length, mm (inch)	2500 (98.4)	2500 (98.4)
Air connections	Outlet exhaust, Ø mm (inch)	125 (4.9)	125 (4.9)
	Outlet air flow, m³/h* (ft³/h*)	230 (8122)	230 (8122)
	Pressure drop, max Pa* (psf*)	70 (1.46)	70 (1.46)
Optional extras	Single bar, art no	131070	131070
	Assembling kit, art no	131033	131033
	Hook rack, set of three, part no	131071	131071
	Air exchanger 1 vent., part no	141009	141009
	Air exchanger 2 vent., part no	141018	141018
Sound level	Airborne sound level, dB(A)	62	62
Weight	Net, kg (lbs)	145 (320)	145 (320)
	Shipping data net, kg (lbs)	159 (351)	159 (351)
Minimum ceiling height	Minimum ceiling height, mm (inch)	2080 (81.9)	2080 (81.9)
Shipping dimensions	WxDxH packed, mm (inch)	1250x700x2050 (49.2x27.6x80.7)	1250x700x2050 (49.2x27.6x80.7)

* Recommended air flow.

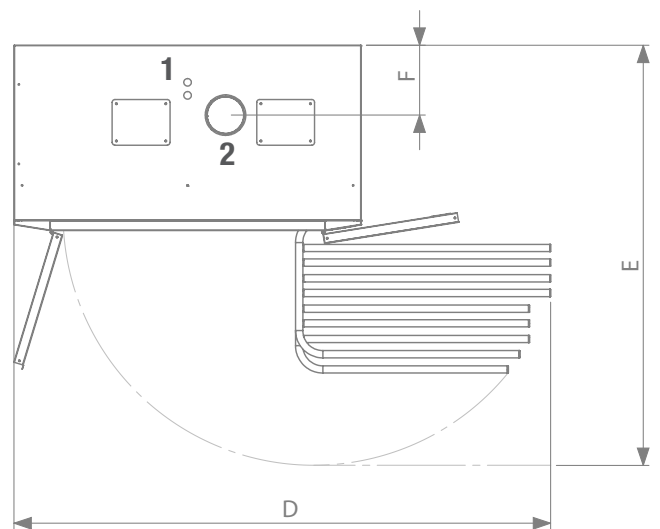
Front



Left side



From above



1. Electrical connection
2. Outlet exhaust

Dimensions in mm (inch)	A	B	C	D	E	F
	Width	Depth	Height	Width with hanging rail	Depth hanging rail	Exhaust position from back
TS 63 E	1200 (47.2)	640 (25.2)	1870 (73.6)	1855 (73.0)	1453 (57.2)	242 (9.5)
TS 63 ES	1200 (47.2)	640 (25.2)	1870 (73.6)	1855 (73.0)	1453 (57.2)	242 (9.5)



2015-11-30. Changes can be made without prior notice.

PODAB exclusively supplied by: Renzacci UK PLC, Web: www.podab.co.uk, Email: mail@podab.co.uk, Tel: 020 8936 7083